



CTV24-48-13

MODEL SERIES

0-200 AMPERES 0-240 VOLTS

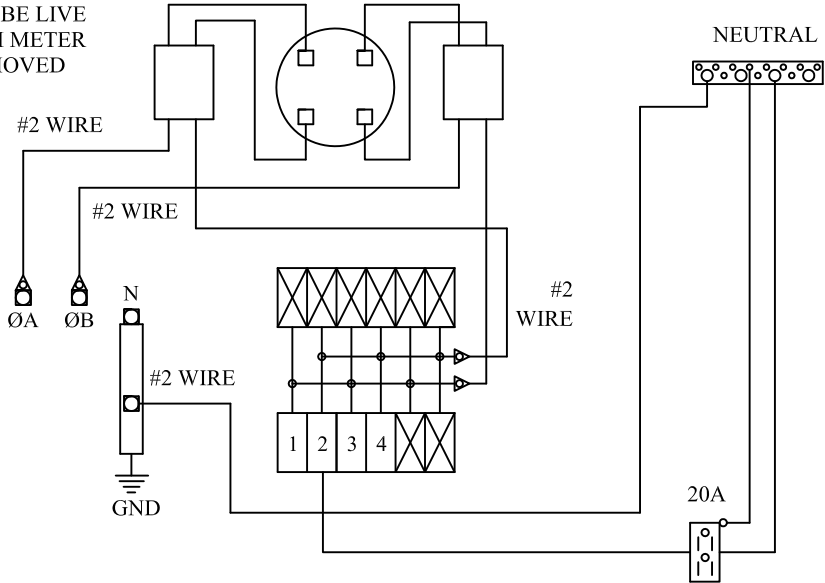


STANDARD CATALOG NUMBERS

CATALOG NUMBER	AMPS	VOLTAGE	PHASE	MAIN	BRANCH CIRCUITS	AIC RATING
CTV24-48-13-HI	100	120/240	1PH 3W	NO	6	10,000
CTV24-48-13-GOL	60	120	1PH 2W	NO	3	10,000

CAT. NO. CTV24-48-13-HI

CAUTION: CIRCUIT
MAY BE LIVE
WITH METER
REMOVED



CAT. NO. CTV24-48-13-GOL

CAUTION: CIRCUIT
MAY BE LIVE
WITH METER
REMOVED

