



IIMC

Internally Illuminated Map Case

Internally illuminated, double-sided map case for indoor/outdoor use. Typical applications include mass transit, city center information and navigation.



STANDARD FEATURES

- Two 120, 240 or 277 VAC ballasts
- Removable lamp fixture and external panels
- 46" x 46" window made of 1/4" tempered glass, laminated with 7mil mylar to prevent scratching or chemical etching
- Internal structure finished with matte black polyurethane-based powder coat paint to prevent corrosion
- Alternately wired lamps ensures even illumination in the event that one of the ballasts fails

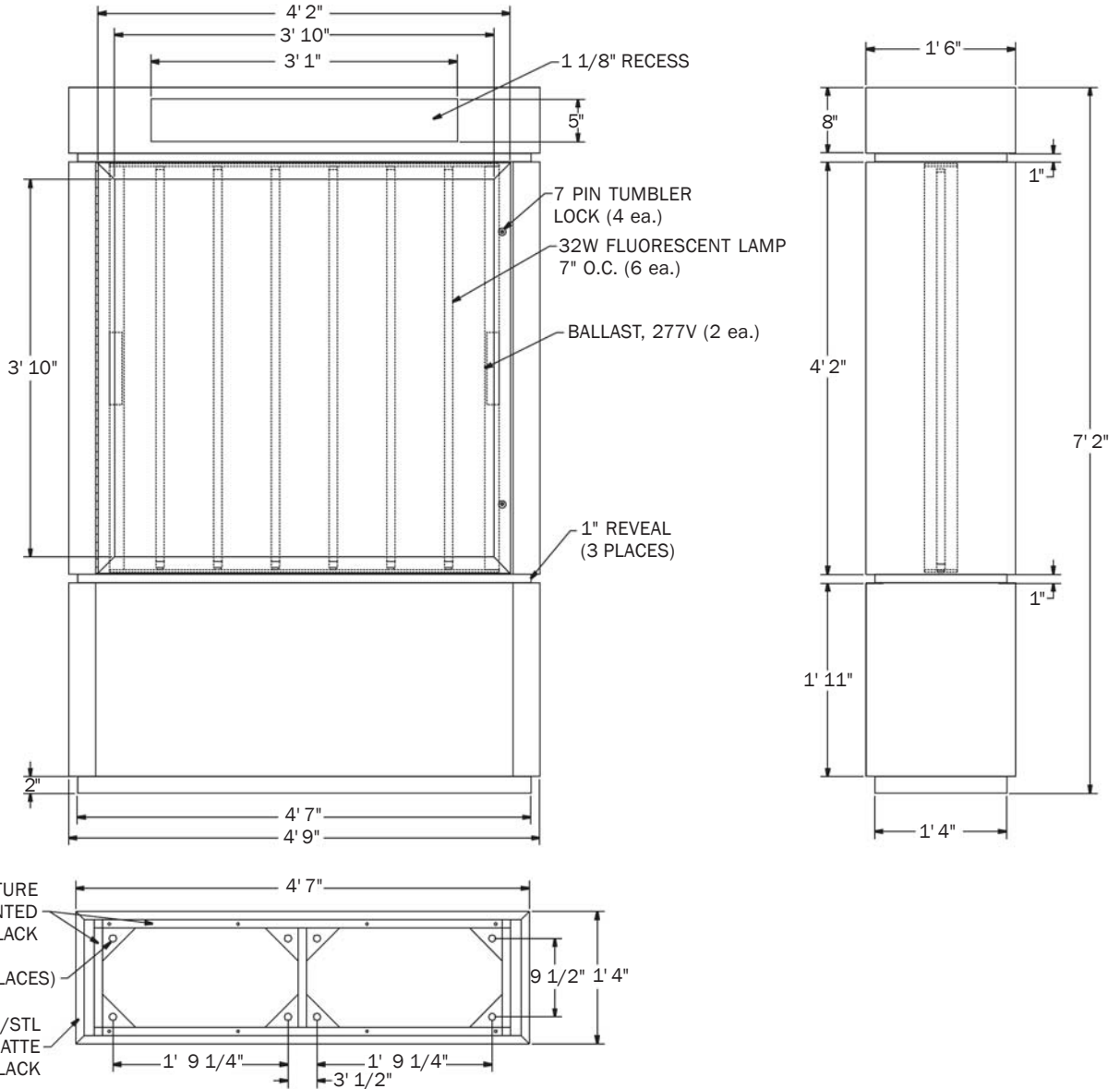
OPTIONAL FEATURES

- Custom configurations available. Consult your factory representative.
- Aluminum or non-stainless steel construction
- Single-sided or double-sided enclosure
- Available with or without recess
- Locks keyed per request
- Custom colors available

SPECIFICATIONS

- 14 gauge stainless steel external panels with #4 polish
- Overall dimensions: 57"W x 18"D x 85"H
- Hood provided with a 1 1/8" deep recess
- 3/16" translucent white acrylic diffuser framed in aluminum extrusion
- Internal structure made of 1"x1" 11GA structural steel tubing
- Six T8, 32W, fluorescent lamps
- Programmed rapid start 0°F ballasts
- 7-pin tumbler lock

STANDARD MODEL <i>Custom configurations also available.</i> <i>Consult your factory representative.</i>		120V	240V	277V
	Single-Sided	IIMC-S-12	IIMC-S-24	IIMC-S-27
	Double-Sided	IIMC-D-12	IIMC-D-24	IIMC-D-27



BOTTOM VIEW

All Myers Power Pedestal cabinets and enclosures can be custom configured with a variety of features and options to meet your specifications. Call a factory representative for more details.



Tel: 866-MY-MYERS Fax: 951-520-1961
www.myerspowerproducts.com