



USPA MODEL SERIES



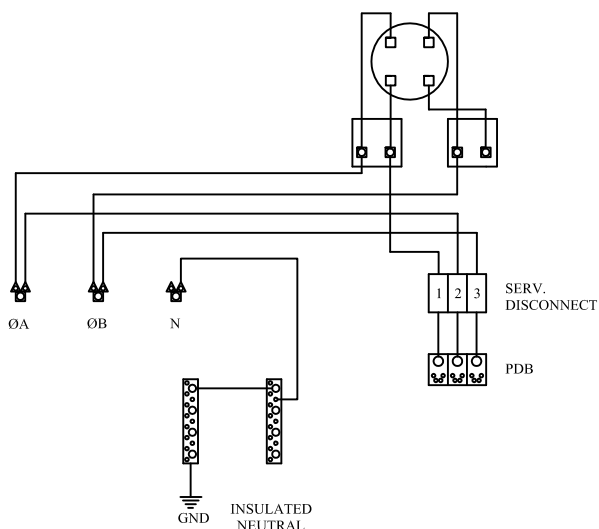
0 - 100 AMPERES

0 - 240 VOLTS

STANDARD CATALOG NUMBERS

CATALOG NUMBER	AMPS	VOLTAGE	PHASE	MAIN	BRANCH CIRCUITS	AIC RATING
CAT.NO. USPA-M3100-100TB	100	120/240	1PH 3W	3 POLE	5 MAXIMUM	10,000
METERED & UNMETERED CIRCUITS						
CAT.NO. USPA-UM-M2100-100	100	120/240	1PH 3W	2 POLE	6 MAXIMUM	10,000
UNMETERED CIRCUITS						
CAT. NO. USPA-M3100-100TB	100	120/240	1PH 3W	3 POLE	5 MAXIMUM	10,000

CAT.NO. USPA-M3100-100TB



CAT. NO. USPA-M3100-100TB

SHOWN WITH ADDITIONAL OPTIONAL COMPONENTS

